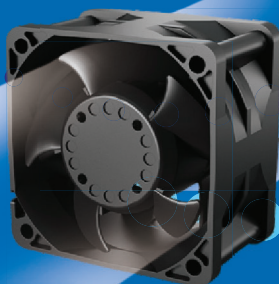




High Performance Fans Series PRODUCT CATALOG

VER.2021



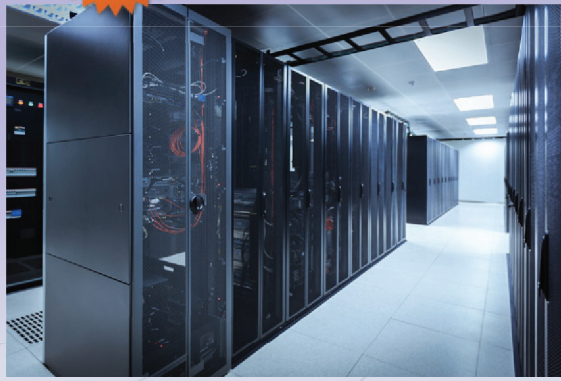
ISO
9001
✓
SGS

ISO
14001

✓
RoHS
Compliance

NEW

HIGH PERFORMANCE FANS SERIES



More >

Introducing Cooltron High Performance Fans Series

Features:

- More Air Flow
- More Air Pressure
- Less Noise



* **Advanced Fan Blades Curved Surface Designs for Much More Air Flow**

Cooltron High Performance Series fans are featured with special fan blades curved surface designs that fan blades attack angles and forwarded curve angles are optimized with Velocity Triangle in turbine mode and Computer Fluid Dynamics calculations of air flow lifting force and speed to generate the maximum air flow volume at the given fan speed.



High Performance Fan



Standard Fan

* **Stator Blades Designs for Much More Static Pressure**

Cooltron High Performance Series fans are equipped with sophisticated computer-designed stator blades to not only reduces turbulent vortex caused by fan rotor blades generated moving air from the front, but also streamline the air flow through the stator blades to reinforce air pressure that especially required by today's most populated electronic devices and or packed enclosure.



High Performance Fan



Standard Fan

DC AXIAL FAN 40x40x28mm

(High Performance Fan Series)



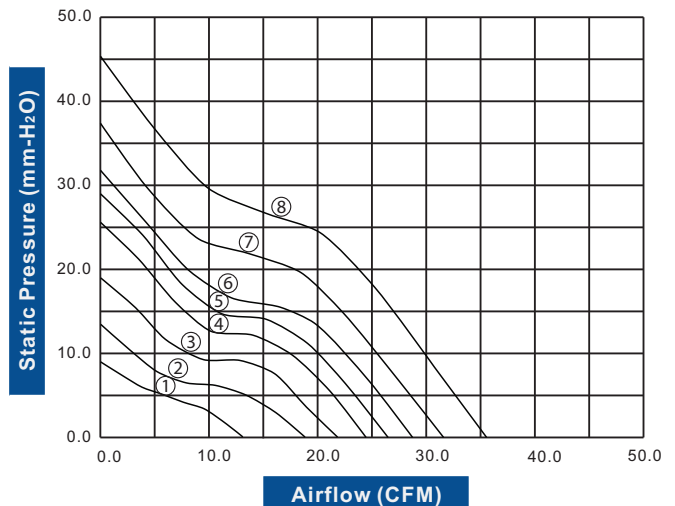
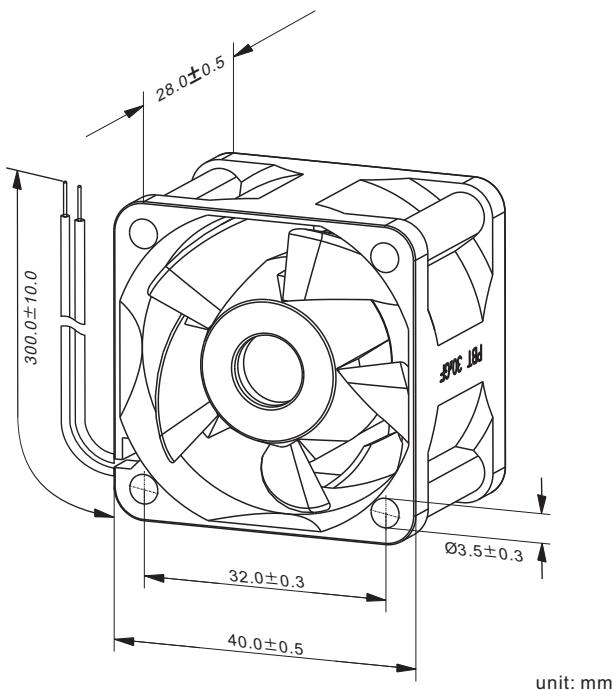
Housing/Blade: Thermoplastic PBT, UL 94V-0
 Insulation Resistance: 10M Ω , 500VDC/min between bare wire and frame
 Dielectric Strength: 5mA max. 500VAC/min between bare wire and frame
 Operation Temperature: -10°C~70°C(Humidity 15%-65%RH)
 Storage Temperature: -20°C~85°C(Humidity 15%-65%RH)
 Lead Wire: UL Type #26 AWG
 Weight: 43 g Packing: 400PCS/CTN

- High Airflow
- Extremely High Static Pressure

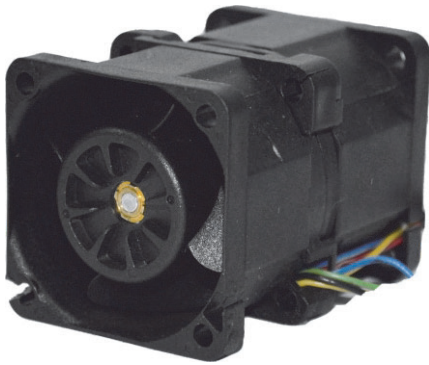
Model Number	Voltage (VDC)	Op.Voltage (VDC)	Air Flow (CFM)	Static Pres. (mm-H ₂ O)	Noise (dBA)	Speed (RPM)	Current (mA)	Power (W)	Available Bearing	Curves
FD4028B12W1-88	★▲	12	4.0~13.8	13.00	8.5	44.30	8,000	3.84	B	①
FD4028B12W3-88	★▲	12	4.0~13.8	18.60	13.2	46.20	10,000	4.20	B	②
FD4028B12W5-88	★▲	12	4.0~13.8	21.40	18.3	49.70	12,000	6.60	B	③
FD4028B12W9-88	★▲	12	6.0~13.8	24.40	25.3	53.00	14,000	7.56	B	④
FD4028B12W10-88	★▲	12	6.0~13.8	26.10	28.8	54.60	15,000	7.80	B	⑤
FD4028B12W11-88	★▲	12	6.0~13.8	28.00	32.7	56.80	16,000	10.20	B	⑥
FD4028B12W13-88	★▲	12	6.0~12.8	31.90	37.2	58.30	18,000	26.40	B	⑦
FD4028B12W14-88	★▲	12	6.0~12.8	35.30	45.1	60.40	20,000	28.80	B	⑧

- If model depicts "★", auto restart protection function built in.
- If model depicts "▲", polarity protection function built in.

Specifications are subject to change without notice



DC AXIAL FAN 40x40x56mm (High Performance Fan Series)

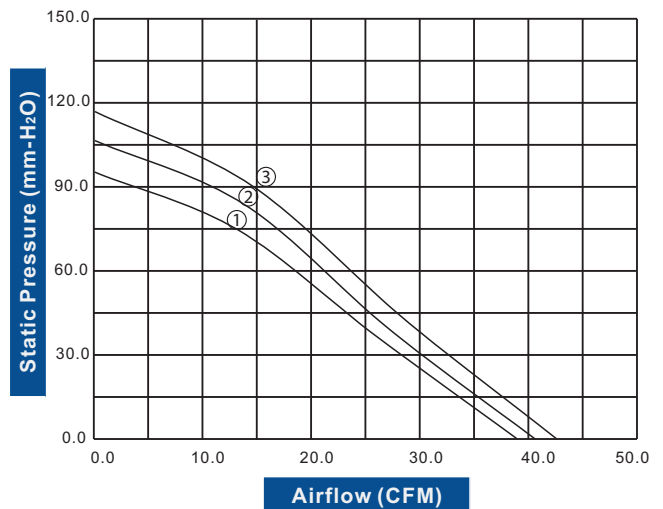
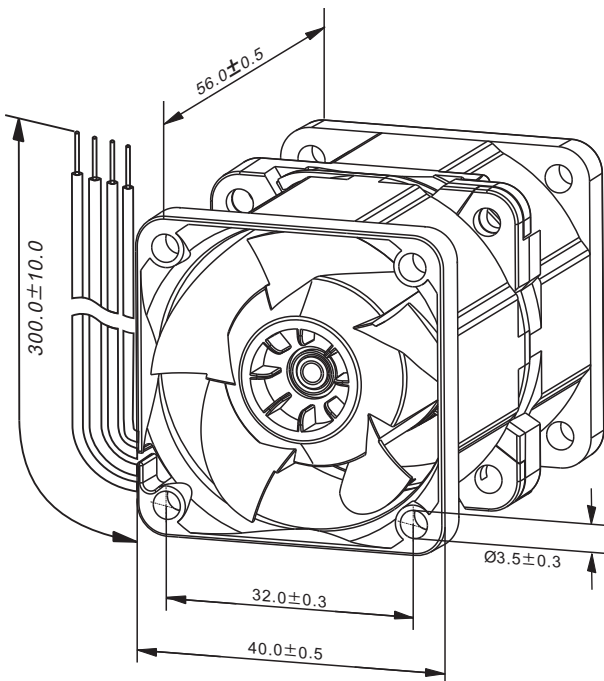


Housing/Blade: Thermoplastic PBT, UL 94V-0
 Insulation Resistance: 10MΩ, 500VDC/min between bare wire and frame
 Dielectric Strength: 5mA max. 500VAC/min between bare wire and frame
 Operation Temperature: -10°C~70°C(Humidity 15%-65%RH)
 Storage Temperature: -20°C~85°C(Humidity 15%-65%RH)
 Lead Wire: UL Type #26 AWG
 Weight: 88.5g Packing: 200PCS/CTN

Model Number	Voltage (VDC)	Op.Voltage (VDC)	AirFlow (CFM)	StaticPres. (mm-H ₂ O)	Noise (dBA)	Speed (RPM)	Current (mA)	Power (W)	Available Bearing	Curves
FD4056B12W3-88H ★▲	12	6.0~13.8	38.70	94.70	73.50	18,000/17,000	2600	31.20	B	①
FD4056B12W5-88H ★▲	12	6.0~13.8	40.70	106.50	74.50	19,000/18,000	2800	33.60	B	②
FD4056B12W7-88H ★▲	12	6.0~13.8	42.60	117.90	75.50	20,000/19,000	3000	36.00	B	③

- If model depicts "★", auto restart protection function built in.
- If model depicts "▲", polarity protection function built in.

Specifications are subject to change without notice



DC AXIAL FAN 60x60x38mm

(High Performance Fan Series)



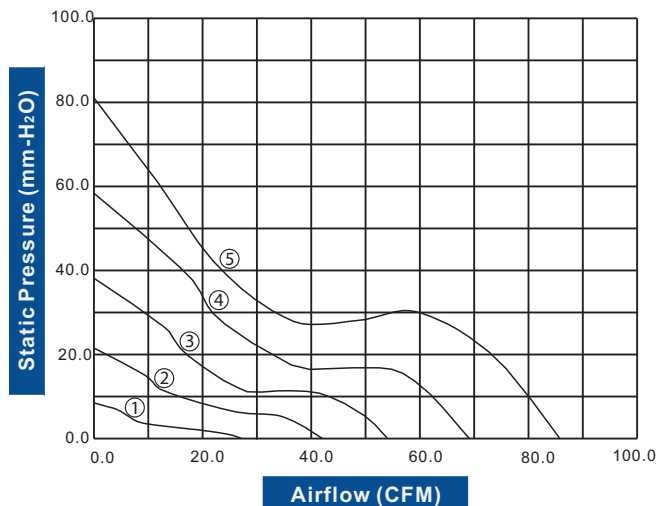
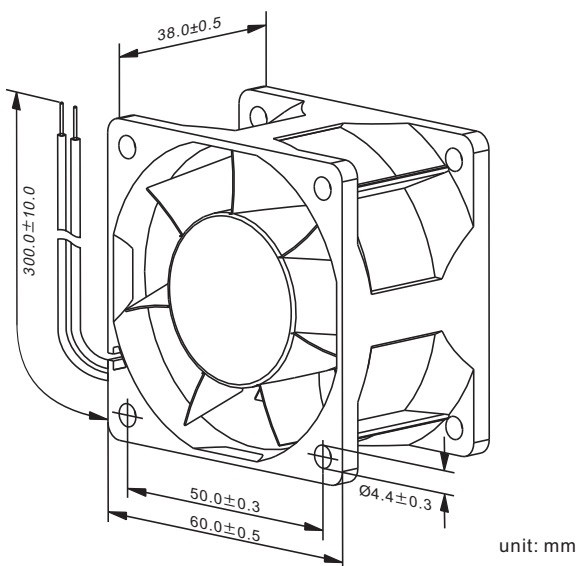
Housing/Blade: Thermoplastic PBT, UL 94V-0
 Insulation Resistance: 10M Ω , 500VDC/min between bare wire and frame
 Dielectric Strength: 5mA max. 500VAC/min between bare wire and frame
 Operation Temperature: -10°C~70°C(Humidity 5%-90%RH)
 Storage Temperature: -40°C~80°C(Humidity 5%-95%RH)
 Lead Wire: UL Type #24 AWG
 Weight: 145 g Packing: 100PCS/CTN

- High Airflow
- Extremely High Static Pressure

Model Number	Voltage (VDC)	Op.Voltage (VDC)	AirFlow (CFM)	StaticPres. (mm-H ₂ O)	Noise (dBA)	Speed (RPM)	Current (mA)	Power (W)	Available Bearing	Curves
FD6038B12W3-87H ★▲	12	6.0~13.2	26.10	9.38	49.20	6,000	190	2.28	B	①
FD6038B12W5-87H ★▲	12	6.0~13.2	41.60	21.92	51.80	9,000	580	6.96	B	②
FD6038B12W7-87H ★▲	12	6.0~13.2	55.20	38.03	58.00	12,000	1090	13.08	B	③
FD6038B12W9-87H ★▲	12	6.0~13.2	69.10	58.92	62.80	15,000	2070	24.84	B	④
FD6038B12W11-87H ★▲	12	6.0~13.2	85.85	80.05	65.55	17,000	3270	39.24	B	⑤
FD6038B24W3-87H ★▲	24	14.0~26.4	26.10	9.38	49.20	6,000	130	3.12	B	①
FD6038B24W5-87H ★▲	24	14.0~26.4	41.60	21.92	51.80	9,000	260	6.24	B	②
FD6038B24W7-87H ★▲	24	14.0~26.4	55.20	38.03	58.00	12,000	590	14.16	B	③
FD6038B24W9-87H ★▲	24	14.0~26.4	69.10	58.92	62.80	15,000	1150	27.60	B	④
FD6038B24W11-87H ★▲	24	14.0~26.4	85.85	80.05	65.55	17,000	1800	43.20	B	⑤
FD6038B48W3-87H ★▲	48	24.0~52.8	26.10	9.38	49.20	6,000	80	3.84	B	①
FD6038B48W5-87H ★▲	48	24.0~52.8	41.60	21.92	51.80	9,000	150	7.20	B	②
FD6038B48W7-87H ★▲	48	24.0~52.8	55.20	38.03	58.00	12,000	300	14.40	B	③
FD6038B48W9-87H ★▲	48	24.0~52.8	69.10	58.92	62.80	15,000	540	25.92	B	④
FD6038B48W11-87H ★▲	48	24.0~52.8	85.85	80.05	65.55	17,000	820	39.36	B	⑤

- If model depicts "★", auto restart protection function built in.
- If model depicts "▲", polarity protection function built in.

Specifications are subject to change without notice



DC AXIAL FAN 80x80x38mm

(High Performance Fan Series)



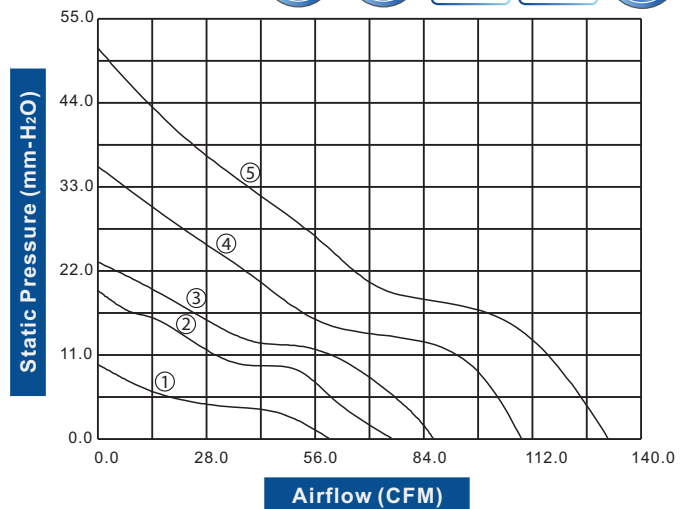
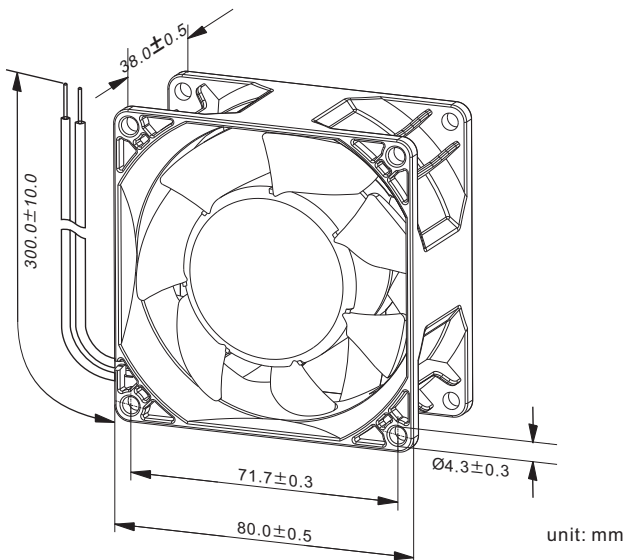
Housing/Blade: Thermoplastic PBT, UL 94V-0
 Insulation Resistance: 10M Ω , 500VDC/min between bare wire and frame
 Dielectric Strength: 5mA max. 500VAC/min between bare wire and frame
 Operation Temperature: -10°C~70°C(Humidity 5%-90%RH)
 Storage Temperature: -40°C~80°C(Humidity 5%-95%RH)
 Lead Wire: UL Type #24 AWG
 Weight: 210 g Packing: 60PCS/CTN

- High Airflow
- Extremely High Static Pressure

Model Number	Voltage (VDC)	Op.Voltage (VDC)	Air Flow (CFM)	Static Pres. (mm-H ₂ O)	Noise (dBA)	Speed (RPM)	Current (mA)	Power (W)	Available Bearing	Curves
FD8038B12W3-87A	★▲	12	7.0~13.2	59.10	10.60	44.30	4,200	4.80	B	①
FD8038B12W5-87A	★▲	12	7.0~13.2	80.00	19.60	52.20	5,600	9.12	B	②
FD8038B12W7-87A	★▲	12	7.0~13.2	86.10	22.90	55.20	6,100	12.00	B	③
FD8038B12W9-87A	★▲	12	7.0~13.2	107.10	35.10	61.10	7,500	18.00	B	④
FD8038B12W11-87A	★▲	12	7.0~13.2	132.00	51.60	65.00	9,000	32.40	B	⑤
FD8038B24W3-87A	★▲	24	14.0~26.4	59.10	10.60	44.30	4,200	6.00	B	①
FD8038B24W5-87A	★▲	24	14.0~26.4	80.00	19.60	52.20	5,600	8.40	B	②
FD8038B24W7-87A	★▲	24	14.0~26.4	86.10	22.90	55.20	6,100	10.80	B	③
FD8038B24W9-87A	★▲	24	14.0~26.4	107.10	35.10	61.10	7,500	19.68	B	④
FD8038B24W11-87A	★▲	24	14.0~26.4	132.00	51.60	65.00	9,000	33.60	B	⑤
FD8038B48W3-87A	★▲※	48	28.0~56.0	59.10	10.60	44.30	4,200	11.04	B	①
FD8038B48W5-87A	★▲※	48	28.0~56.0	80.00	19.60	52.20	5,600	15.84	B	②
FD8038B48W7-87A	★▲※	48	28.0~56.0	86.10	22.90	55.20	6,100	24.48	B	③
FD8038B48W9-87A	★▲※	48	28.0~56.0	107.10	35.10	61.10	7,500	27.84	B	④
FD8038B48W11-87A	★▲※	48	28.0~56.0	132.00	51.60	65.00	9,000	43.20	B	⑤

- If model depicts "★", auto restart protection function built in.
- If model depicts "▲", polarity protection function built in.
- If model depicts "※", UL approvals can be implemented upon request.

Specifications are subject to change without notice



DC AXIAL FAN 80x80x38mm

(High Performance Fan Series)



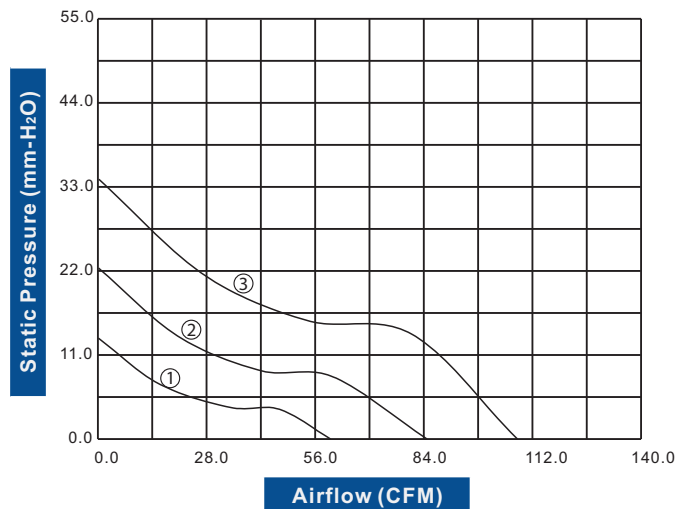
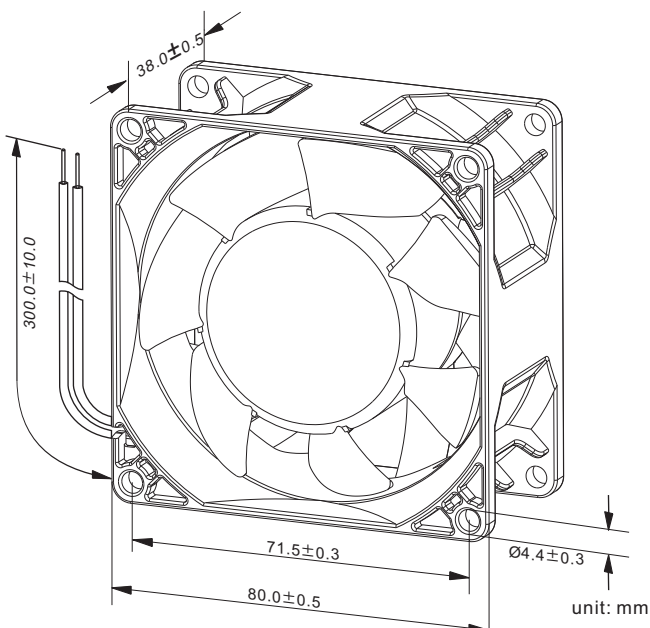
Housing/Blade: Thermoplastic PBT, UL 94V-0
 Insulation Resistance: 10MΩ, 500VDC/min between bare wire and frame
 Dielectric Strength: 5mA max. 500VAC/min between bare wire and frame
 Operation Temperature: -10°C~70°C(Humidity 15%-65%RH)
 Storage Temperature: -20°C~85°C(Humidity 15%-65%RH)
 Lead Wire: UL Type #24 AWG
 Weight: 177 g Packing: 60PCS/CTN

- High Airflow
- Extremely High Static Pressure

Model Number	Voltage (VDC)	Op.Voltage (VDC)	Air Flow (CFM)	Static Pres. (mm-H ₂ O)	Noise (dBA)	Speed (RPM)	Current (mA)	Power (W)	Available Bearing	Curves
FD8038B12W3-88H ★▲	12	6.5~13.8	64.10	13.20	50.50	5,000	700	8.40	B	①
FD8038B12W5-88H ★▲	12	6.0~13.8	84.20	22.50	57.50	6,500	1,500	18.00	B	②
FD8038B12W7-88H ★▲	12	6.0~13.8	100.60	35.50	62.80	8,000	2,800	33.60	B	③
FD8038B24W3-88H ★▲	24	15.0~30.0	64.10	13.20	50.50	5,000	400	9.60	B	①
FD8038B24W5-88H ★▲	24	15.0~30.0	84.20	22.50	57.50	6,500	700	16.80	B	②
FD8038B24W7-88H ★▲	24	15.0~30.0	100.60	35.50	62.80	8,000	1,600	38.40	B	③
FD8038B48W3-88H ★▲	48	25.0~60.0	64.10	13.20	50.50	5,000	300	14.40	B	①
FD8038B48W5-88H ★▲	48	25.0~60.0	84.20	22.50	57.50	6,500	400	19.20	B	②
FD8038B48W7-88H ★▲	48	25.0~60.0	100.60	35.50	62.80	8,000	1,000	48.00	B	③

- If model depicts "★", auto restart protection function built in.
- If model depicts "▲", polarity protection function built in.

Specifications are subject to change without notice



DC AXIAL FAN 92x92x38mm (High Performance Fan Series)



Housing/Blade: Thermoplastic PBT, UL 94V-0
 Insulation Resistance: 10MΩ, 500VDC/min between bare wire and frame
 Dielectric Strength: 5mA max. 500VAC/min between bare wire and frame
 Operation Temperature: -10°C~70°C(Humidity 5%-90%RH)
 Storage Temperature: -40°C~80°C(Humidity 5%-95%RH)
 Lead Wire: UL Type #24 AWG
 Weight: 200 g Packing: 60PCS/CTN

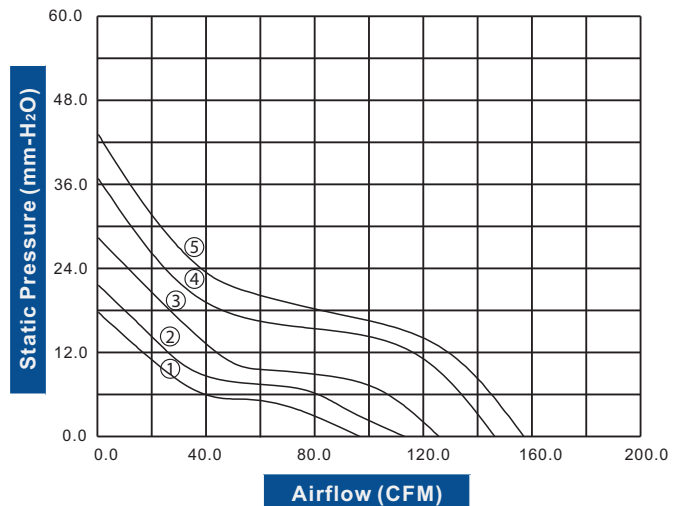
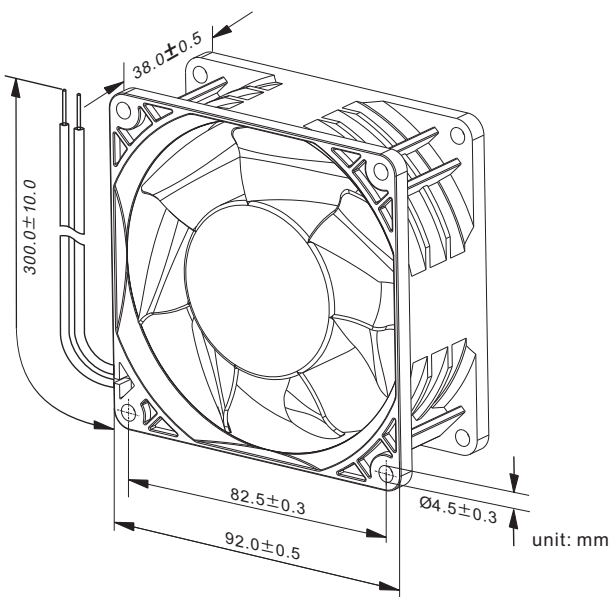


- High Airflow
- Extremely High Static Pressure

Model Number	Voltage (VDC)	Op.Voltage (VDC)	AirFlow (CFM)	StaticPres. (mm-H ₂ O)	Noise (dBA)	Speed (RPM)	Current (mA)	Power (W)	Available Bearing	Curves	
FD9238B12W3-87	★▲	12	7.0~13.2	98.60	18.00	51.20	4,300	500	6.00	B	①
FD9238B12W5-87	★▲	12	7.0~13.2	110.80	22.20	57.10	5,000	900	10.80	B	②
FD9238B12W7-87	★▲	12	7.0~13.2	125.30	28.90	63.00	6,000	1,200	14.40	B	③
FD9238B12W9-87	★▲	12	7.0~13.2	147.80	37.60	66.00	7,000	2,500	30.00	B	④
FD9238B12W11-87	★▲	12	7.0~13.2	158.30	43.20	67.50	7,500	2,710	32.52	B	⑤
FD9238B24W3-87	★▲	24	14.0~26.4	98.60	18.00	51.20	4,300	350	8.40	B	①
FD9238B24W5-87	★▲	24	14.0~26.4	110.80	22.20	57.10	5,000	450	10.80	B	②
FD9238B24W7-87	★▲	24	14.0~26.4	125.30	28.90	63.00	6,000	760	18.24	B	③
FD9238B24W9-87	★▲	24	14.0~26.4	147.80	37.60	66.00	7,000	1,100	26.40	B	④
FD9238B24W11-87	★▲	24	14.0~26.4	158.30	43.20	67.50	7,500	1,650	39.60	B	⑤
FD9238B48W3-87	★▲	48	28.0~56.0	98.60	18.00	51.20	4,300	240	11.52	B	①
FD9238B48W5-87	★▲	48	28.0~56.0	110.80	22.20	57.10	5,000	280	13.44	B	②
FD9238B48W7-87	★▲	48	28.0~56.0	125.30	28.90	63.00	6,000	410	19.68	B	③
FD9238B48W9-87	★▲	48	28.0~56.0	147.80	37.60	66.00	7,000	600	28.80	B	④
FD9238B48W11-87	★▲	48	28.0~56.0	158.30	43.20	67.50	7,500	900	43.20	B	⑤

- If model depicts "★", auto restart protection function built in.
- If model depicts "▲", polarity protection function built in.

Specifications are subject to change without notice



DC AXIAL FAN 120x120x38mm

(High Performance Fan Series)



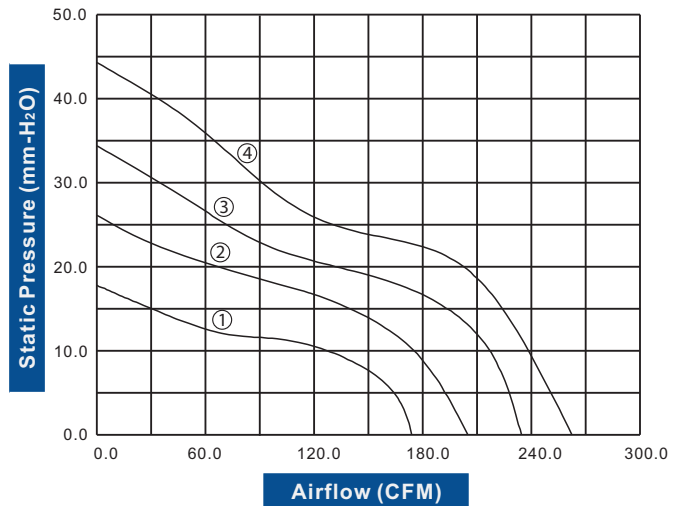
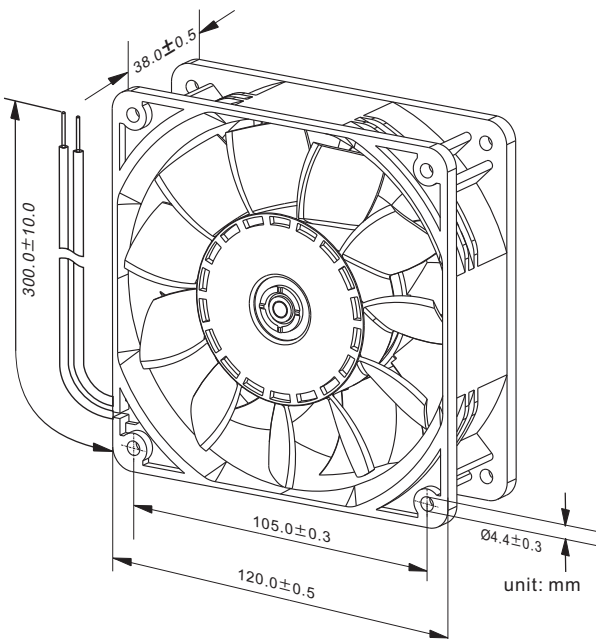
Housing/Blade: Thermoplastic PBT, UL 94V-0
 Insulation Resistance: 10M Ω , 500VDC/min between bare wire and frame
 Dielectric Strength: 5mA max. 500VAC/min between bare wire and frame
 Operation Temperature: -10°C~70°C(Humidity 5%-90%RH)
 Storage Temperature: -40°C~80°C(Humidity 5%-95%RH)
 Lead Wire: UL Type #22 AWG
 Weight: 450 g Packing: 40PCS/CTN

- High Airflow
- Extremely High Static Pressure

Model Number	Voltage (VDC)	Op.Voltage (VDC)	AirFlow (CFM)	StaticPres. (mm-H ₂ O)	Noise (dBA)	Speed (RPM)	Current (mA)	Power (W)	Available Bearing	Curves
FD1238B12W3-87C	★▲ 12	7.0~13.2	174.00	18.00	59.10	4,000	2,000	24.00	B	①
FD1238B12W5-87C	★▲ 12	7.0~13.2	209.40	26.60	64.00	4,800	2,500	30.00	B	②
FD1238B12W7-87C	★▲ 12	7.0~13.2	238.20	34.80	68.00	5,500	3,880	46.56	B	③
FD1238B24W3-87C	★▲ 24	14.0~26.4	174.00	18.00	59.10	4,000	1,300	31.20	B	①
FD1238B24W5-87C	★▲ 24	14.0~26.4	209.40	26.60	64.00	4,800	1,800	43.20	B	②
FD1238B24W7-87C	★▲ 24	14.0~26.4	238.20	34.80	68.00	5,500	2,500	60.00	B	③
FD1238B24W9-87C	★▲ 24	14.0~26.4	269.80	44.90	70.90	6,200	2,720	65.28	B	④
FD1238B48W3-87C	★▲ 48	28.0~56.0	174.00	18.00	59.10	4,000	600	28.80	B	①
FD1238B48W5-87C	★▲ 48	28.0~56.0	209.40	26.60	64.00	4,800	900	43.20	B	②
FD1238B48W7-87C	★▲ 48	28.0~56.0	238.20	34.80	68.00	5,500	1,200	57.60	B	③
FD1238B48W9-87C	★▲ 48	28.0~56.0	269.80	44.90	70.90	6,200	1,300	62.40	B	④

- If model depicts "★", auto restart protection function built in.
- If model depicts "▲", polarity protection function built in.

Specifications are subject to change without notice



DC AXIAL FAN 120x120x38mm

(High Performance Fan Series)



Housing/Blade: Thermoplastic PBT, UL 94V-0
 Insulation Resistance: 10MΩ, 500VDC/min between bare wire and frame
 Dielectric Strength: 5mA max. 500VAC/min between bare wire and frame
 Operation Temperature: -10°C~70°C(Humidity 15%-65%RH)
 Storage Temperature: -20°C~85°C(Humidity 15%-65%RH)
 Lead Wire: UL Type #24 AWG
 Weight: 292 g Packing: 40PCS/CTN

- High Airflow
- Extremely High Static Pressure

Model Number	Voltage (VDC)	Op.Voltage (VDC)	AirFlow (CFM)	StaticPres. (mm-H ₂ O)	Noise (dBA)	Speed (RPM)	Current (mA)	Power (W)	Available Bearing	Curves
FD1238B12W3-88	★▲ 12	6.0~13.8	196.60	11.80	59.00	3,500	1,900	22.80	B	①
FD1238B12W5-88	★▲ 12	6.0~13.8	226.70	13.40	64.60	4,000	2,500	30.00	B	②
FD1238B12W7-88	★▲ 12	6.0~13.8	262.30	17.30	66.20	4,500	3,000	36.00	B	③
FD1238B24W3-88	★▲ 24	15.0~30.0	196.60	11.80	59.00	3,500	1,200	28.80	B	①
FD1238B24W5-88	★▲ 24	15.0~30.0	262.30	17.30	66.20	4,500	1,800	43.20	B	③
FD1238B24W7-88	★▲ 24	15.0~30.0	303.10	22.50	69.00	5,500	2,800	67.20	B	④
FD1238B48W3-88	★▲ 48	25.0~60.0	196.60	11.80	59.00	3,500	700	33.60	B	①
FD1238B48W5-88	★▲ 48	25.0~60.0	262.30	17.30	66.20	4,500	1,000	48.00	B	③
FD1238B48W7-88	★▲ 48	25.0~60.0	303.10	22.50	69.00	5,500	1,300	62.40	B	④

- If model depicts "★", auto restart protection function built in.
- If model depicts "▲", polarity protection function built in.

Specifications are subject to change without notice

